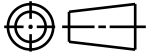
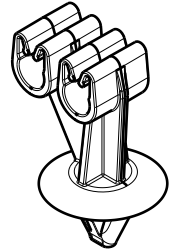
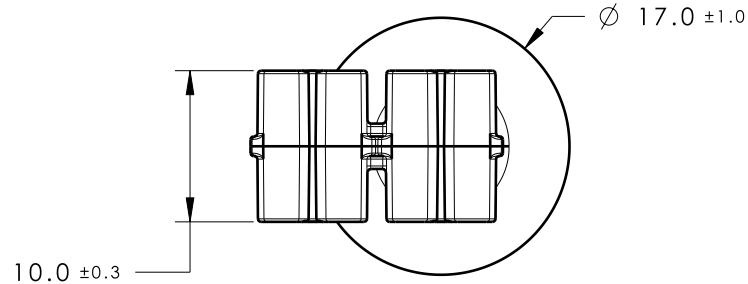


CATIA V5



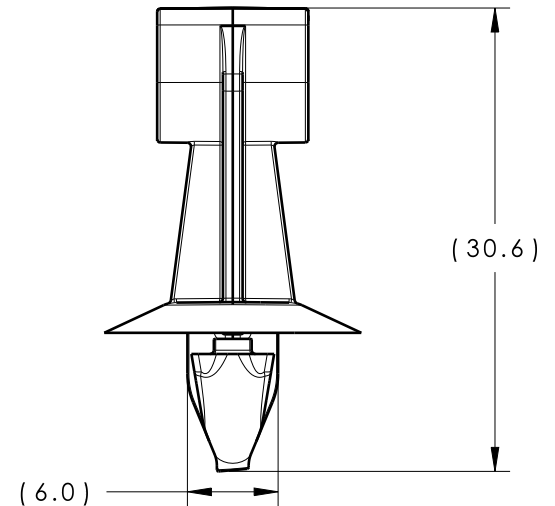
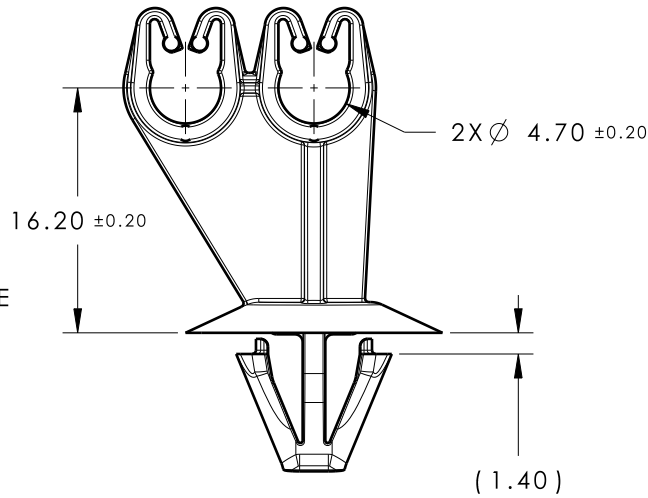
Revision Level			Revision Record	Changed	Date	Approved	Date
Drawing	State	Part					
01.1	Design Release		SEE ECN# 014390	TAT	4/4/18	EJH	4/4/18



ISOMETRIC VIEW  
SCALE 1:1

PERFORMANCE REQUIREMENTS:

1. PUSH IN FORCE: 45 NEWTONS (10 LBS) MAX IN THE APPLICABLE NOMINAL HOLE SIZE AND A PLATE THICKNESS OF 1.4mm.
2. PULL OUT FORCE: 110 NEWTONS (25 LBS) MIN IN THE APPLICABLE NOMINAL HOLE SIZE AND A PLATE THICKNESS OF 1.4mm.
3. SHEET METAL THICKNESS RANGE: 1.20mm - 1.60mm
4. APPLICABLE HOLE SIZE:
  - A. 6.50mm +/- 0.4
  - B. 6.35mm HEX +/- 0.25
5. CLIP PUSH ON FORCE: 55 NEWTONS (12.5 LBS) MAX USING NOMINAL PIN SIZE OF 4.7MM



NOTES:

1. MAXIMUM PERCENT REGRIND PERMISSIBLE: 25%
2. MAX ALLOWABLE FLASH OR MISMATCH TO BE 1MM



Material PA66HIRHS COLOR: BLACK	Units	millimeters	The copyright of this drawing is reserved by HellermannTyton. It is issued on condition that it is not reproduced, copied or disclosed to a third party, either wholly or in part, without the consent of HellermannTyton.	Drawn	TAT	4/19/17	Article/Type-No PC5X2SO	Scale	2:1	
	Tolerance defined on each dimension	Approved		EJH	4/20/17	Title TWO 4.7MM CLIPS WITH 6.5MM AH		Project Number	17-0127	
					Drawing-No		PRODUCTION : Phase	Format	AH	
								North America Email: corp@htamericas.com Web: www.hellermann.tyton.com		<b>17-0127-002-CSU</b>