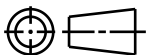
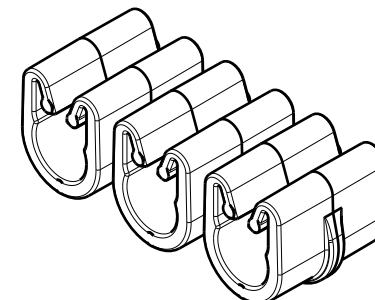
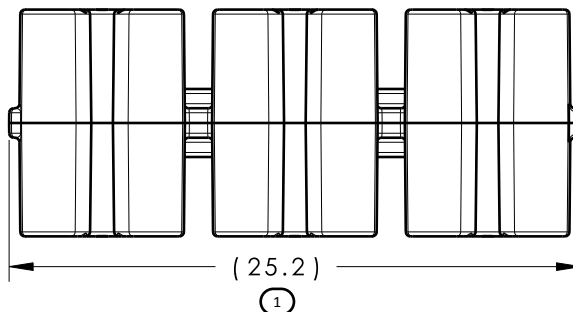


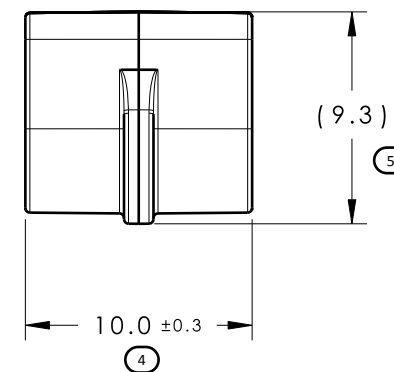
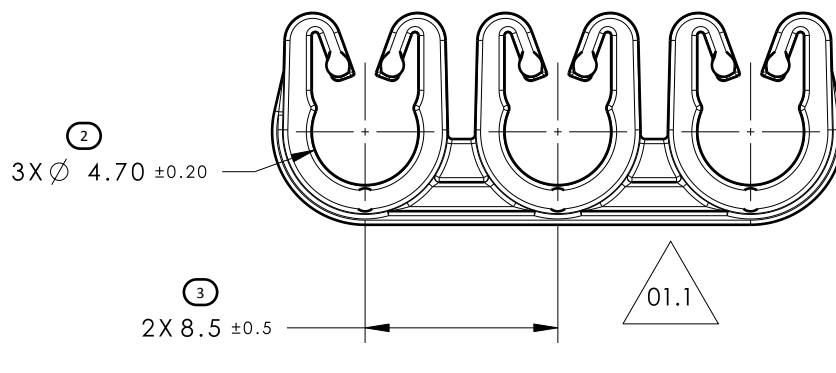
CATIA V5



Revision Level			Revision Record	Changed	Date	Approved	Date
Drawing	State	Part					
01.1	Design Release		SEE ECN# 013843	TAT	5/12/17	EJH	5/12/17



ISOMETRIC VIEW
SCALE 2:1



PERFORMANCE REQUIREMENTS:

1. CLIP PUSH ON FORCE: 90 NEWTONS (20 LBS) MAX USING NOMINAL PIN SIZE OF 4.7MM

NOTES:



1. MAXIMUM PERCENT REGRIND PERMISSIBLE: 25%
2. MAX ALLOWABLE FLASH OR MISMATCH TO BE 1MM

Material PA66HIRHS COLOR: BLACK	Units	millimeters	Drawn	TAT	01/24/17	Article/Type-No	PC5X3	Scale	3:1
	Tolerance defined on each dimension	The copyright of this drawing is reserved by HellermannTyton. It is issued on condition that it is not reproduced, copied or disclosed to a third party, either wholly or in part, without the consent of HellermannTyton.	Approved	KVH	02/01/15	Title	THREE 4.7MM CLIPS	Project Number	17-0129
			HellermannTyton			Drawing-No	PRODUCTION : Phase	Format	AH
			North America Email: corp@htamericas.com Web: www.hellermann.tyton.com			17-0129-001-CSU		Sheet	1/1