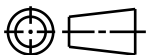
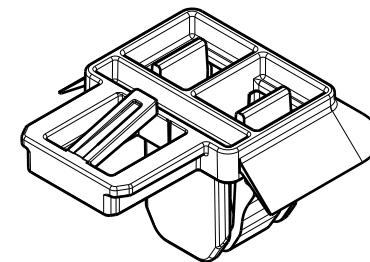
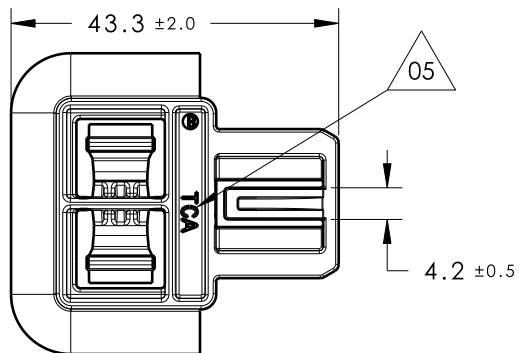
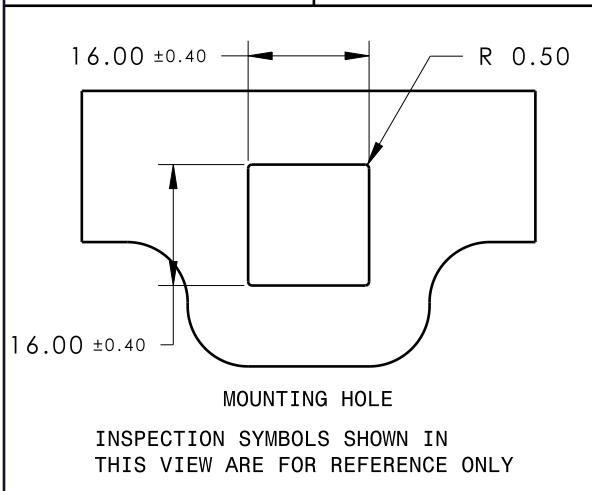


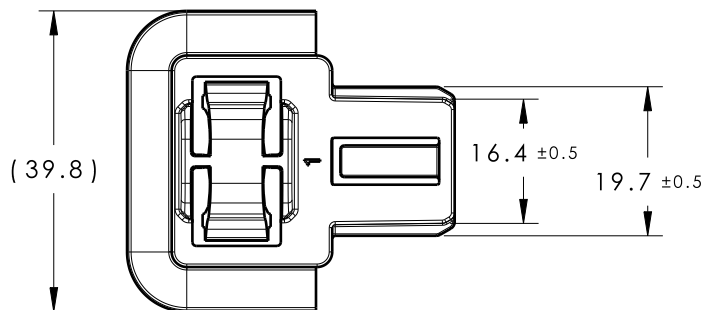
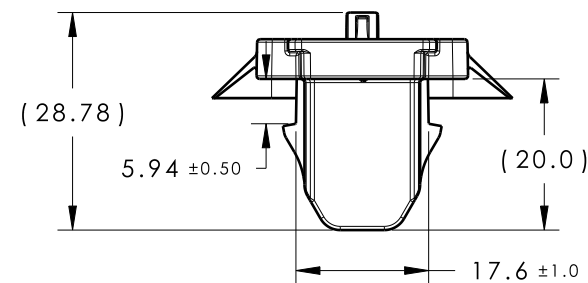
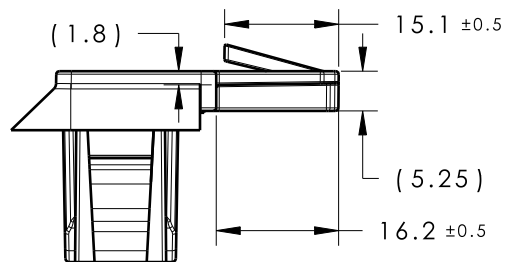
CATIA V5



Revision Level		Revision Record	Changed	Date	Approved	Date
Drawing	Part					
05	B	SEE ECN# 012472	CJR	10/09/13	CJR	10/09/13



Isometric View



Material PA66HIRHS BLACK	Units millimeters Tolerance defined on each dimension	The copyright of this drawing is reserved by HellermannTyton. It is issued on condition that it is not reproduced, copied or disclosed to a third party, either wholly or in part, without the consent of HellermannTyton.	Drawn	KVH	5/14/12	Article/Type-No	CCSNAPCLIP	Scale	1:1	
			Approved	S. ADAMS	5/14/12	Title	SNAP CONNECTOR CLIP FOR P-CLIP	Project Number	12-0003	
			HellermannTyton North America Email: corp@htamericas.com Web: www.hellermann.tyton.com			Drawing-No	PRODUCTION : Phase		Format	AH
						12-0003-001-CSU			Sheet	1/1