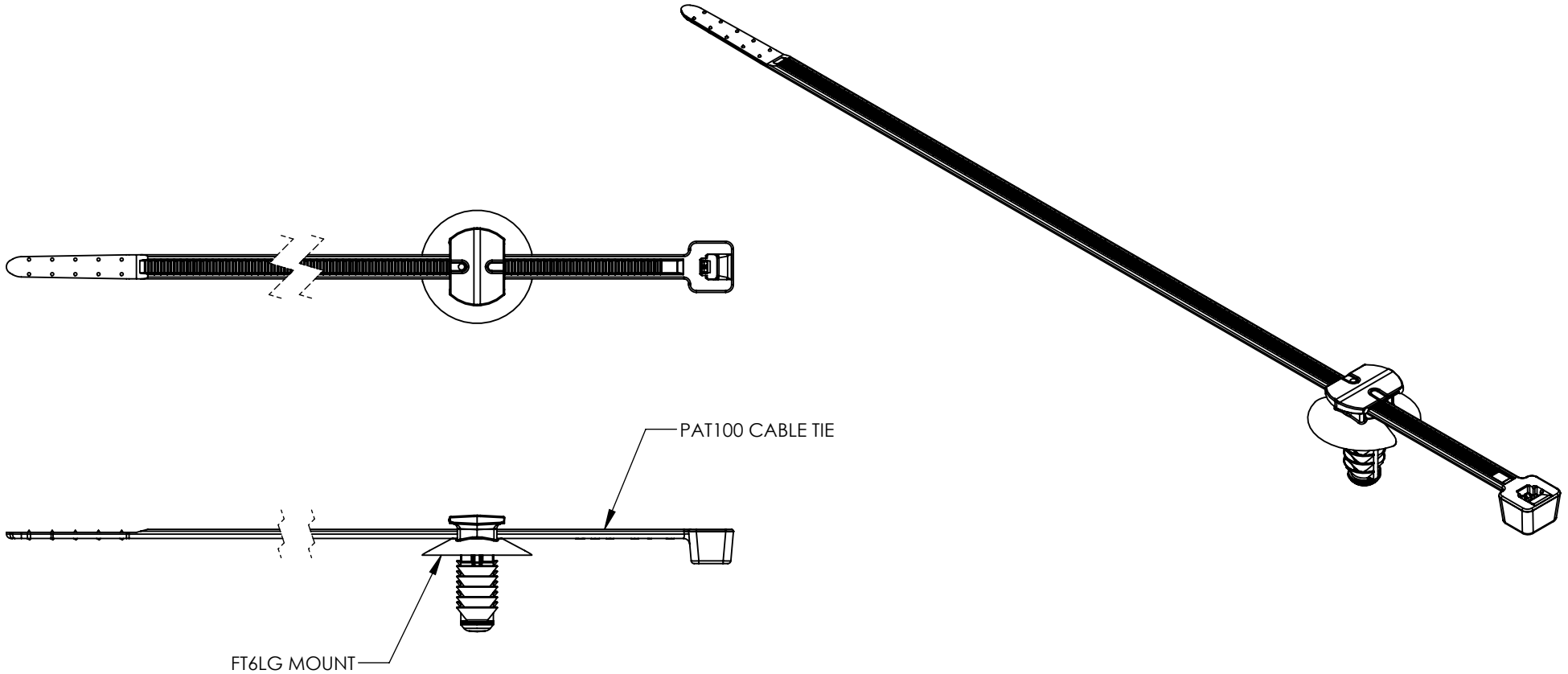


SW2011



Revision level			Revision Record	Changed	Date	Approved	Date
Drawing	State	Part					
00.0	Design Release	-	SEE ECN# 013584	GRW	10/14/2016	KAC	10/14/2016



TYPE NUMBER	BUNDLE RANGE	CABLE TIE		MOUNT	
		DRAWING	MATERIAL	DRAWING	MATERIAL
PAT100RFT6LG	5 - 35	14-1051-003-CSU	PAEK	13-0586-001-CSU	PAEK
PAT100LFT6LG	5 - 50.8	14-1051-001-CSU	PAEK	13-0586-001-CSU	PAEK

Material
SEE CHART

Units: **millimeters**
 Dimension without tolerances details to:
 .XXX = ±.013
 .XX = ±.13
 .X = ±.3
 None = ±.8
 < = ±0.5°
 Dimension Formatted mm/[in]

The copyright of this drawing is reserved by HellermannTyton. It is issued on condition that it is not reproduced, copied, or disclosed to a third party, either wholly or in part, without the consent of HellermannTyton.

Drawn WPT 1/13/2015
 Approved KAC 1/13/2015
HellermannTyton
 North America
 Email: corp@htamericas.com
 Web: www.hellermann.tyton.com

Article/Type-No SEE CHART
 Title **PAT100 CABLE TIE WITH FT6LG MOUNT**
 Drawing-No **13-0586-101-CSU**
 Production : Phase

Scale 1:1
 Project Number PRP 13-0586
 Format AH
 Sheet 1/1