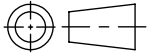
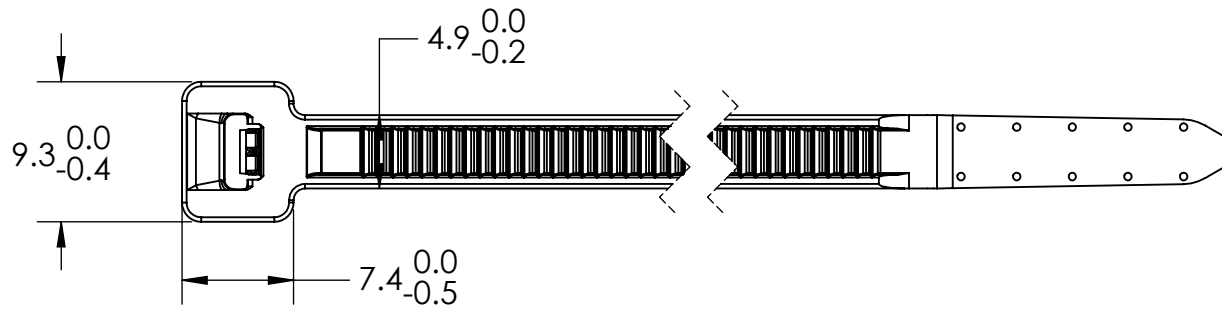
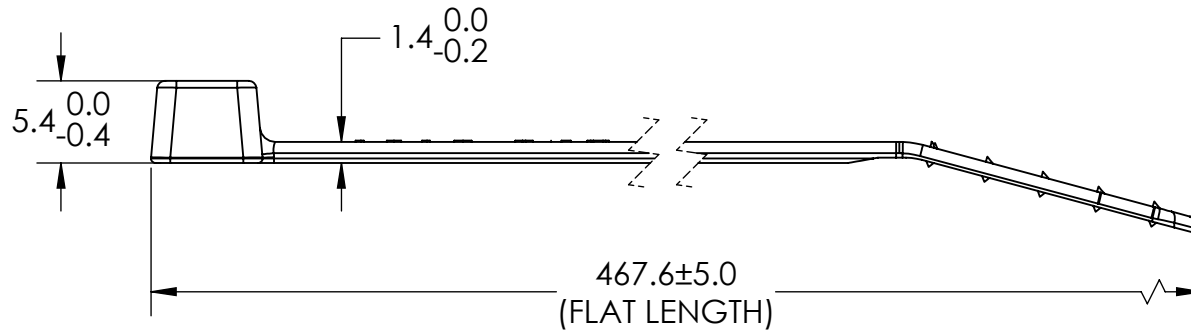


SW2011



Revision level		Revision Record	Changed	Date	Approved	Date
Drawing	Part					
01	-	SEE ECN# 012274	WPT	02/14/2013	WPT	02/14/2013



TYPE	CABLE RANGE	MATERIAL	MIN LOOP TENSILE STRENGTH (N)
T50XL(US)	1.5 to 134	PA66	225
		PA66HIRHSUV	225
		PA66HS	225
		PA66UV	225
		PA46	225
		PA66HSUV	225
		PA66VO	225
		POM	200



Material <b>SEE TABLE</b>	Units: <b>millimeters</b>	The copyright of this drawing is reserved by HellermannTyton. It is issued on condition that it is not reproduced, copied, or disclosed to a third party, either wholly or in part, without the consent of HellermannTyton.	Drawn	WPT	10/18/2012	Article/Type-No	T50XL(US)	Scale	2:1		
	Tolerance defined on each dimension		Approved	WPT	11/01/2012	Title		T50XL(US) STANDARD CABLE TIE			
			<p>North America Email: corp@htamericas.com Web: www.hellermann.tyton.com</p>			Drawing-No		Pre-Production : Phase		Format	AH
						<p><b>12-0650-001-CSU</b></p>		Sheet		1/1	