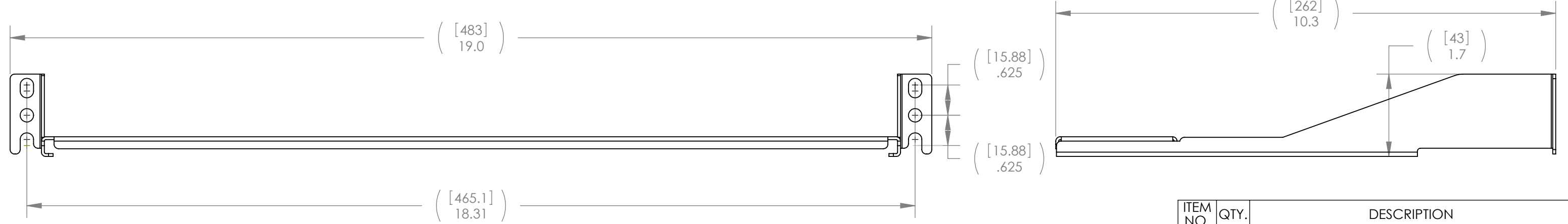
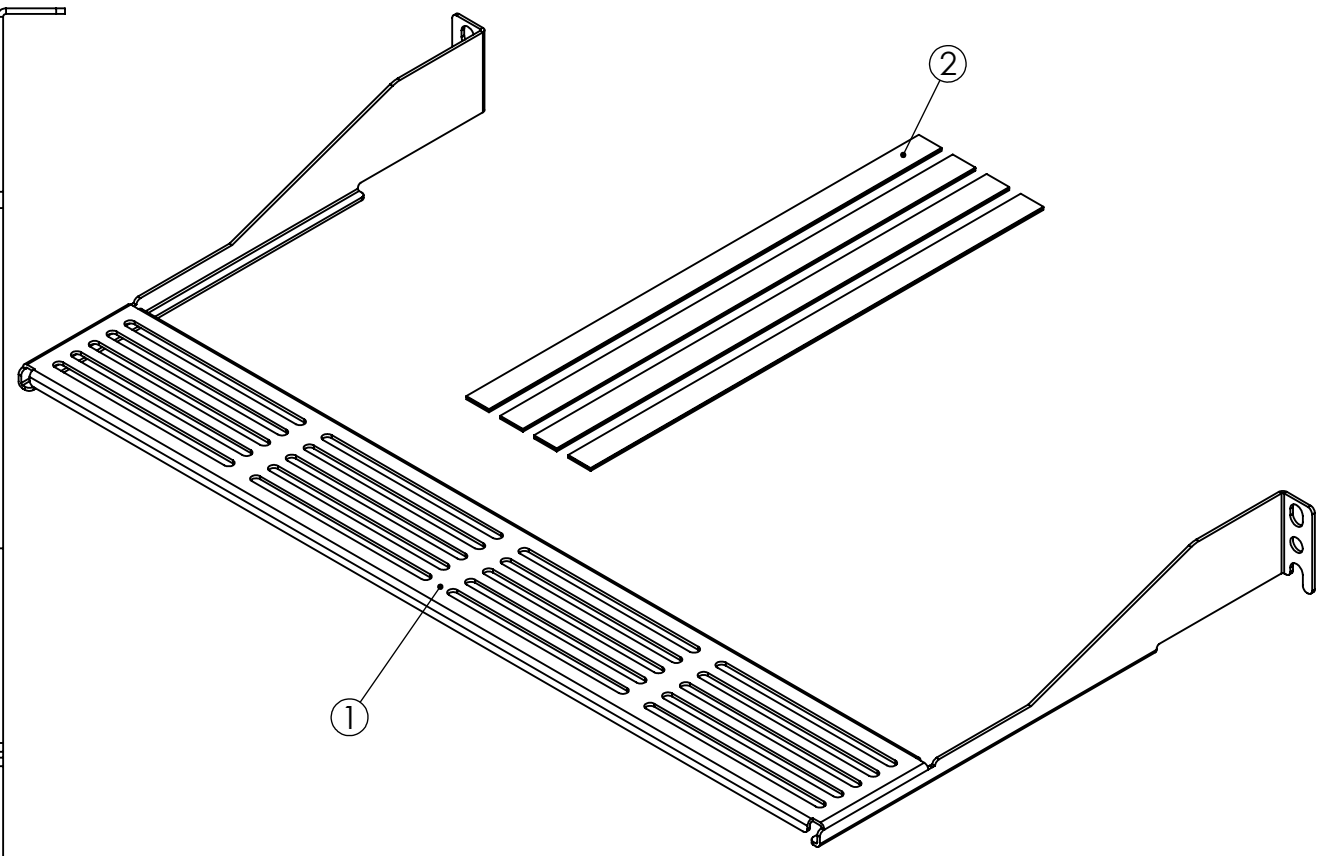
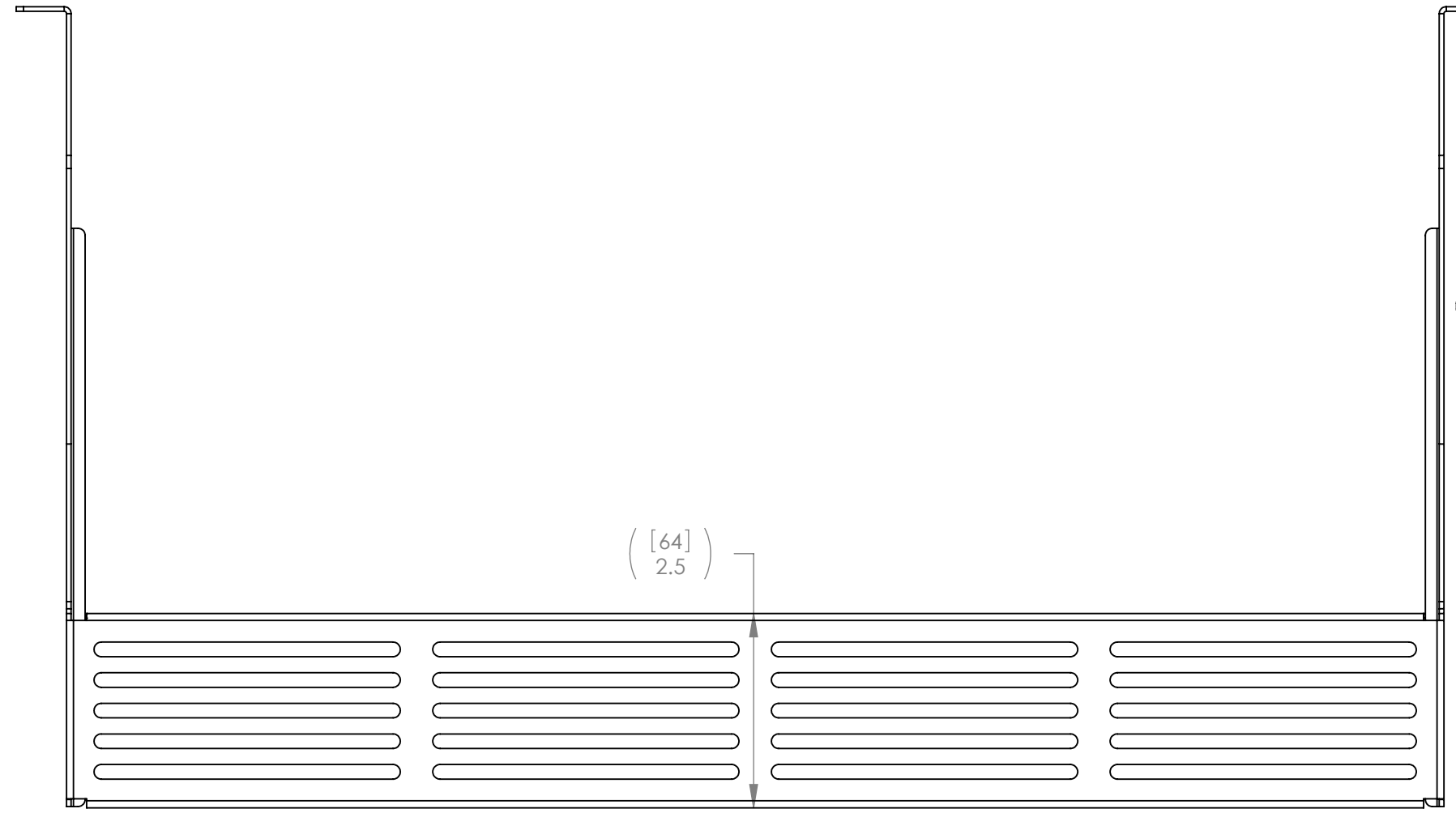


Revision level		Revision Record	Changed	Date	Approved	Date
Drawing	Part					
02	-	SEE ECN# 012149	CJR	08/24/2012	CJR	08/24/2012



ITEM NO.	QTY.	DESCRIPTION
1	1	REAR CABLE MANAGER RAPIDNET HIGH DENSITY
2	4	GRIP TIE .50" WIDE X 10" LONG BLACK

Notes

Material
 BLACK POWDER COATED STEEL BRACKET, BLACK HOOK & LOOP GRIP TIES, RoHS COMPLAINT

Units inches
 Dimension without tolerances details to:
 .xxxx = ±.0005
 .xxx = ±.005
 .xx = ±.01
 .x = ±.03
 None = ±.06
 < = ±0.5°

The copyright of this drawing is reserved by HellermannTyton. It is issued on condition that it is not reproduced, copied, or disclosed to a third party, either wholly or in part, without the consent of HellermannTyton.

Drawn CJR 07/17/2012
 Approved CJR 07/19/2012
HellermannTyton
 North America
 Email: corp@htamericas.com
 Web: www.hellermann.tyton.com

Article/Type-No RNRCMHD
 Title REAR CABLE MANAGER RAPIDNET HIGH DENSITY
 Drawing-No 12-0415-101-CSU
 Production : Phase

Scale 1:2
 Project Number PRP12-0415
 Format B
 Sheet 1/1