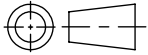
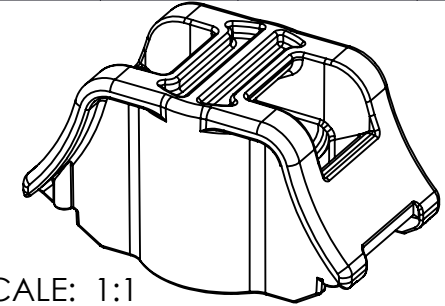
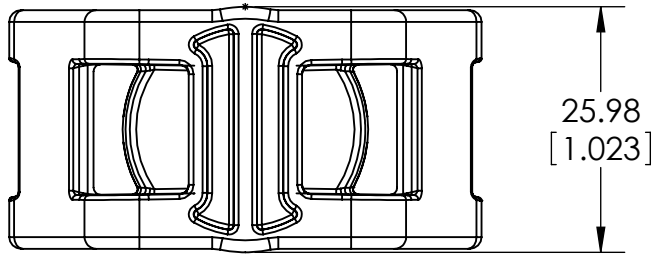


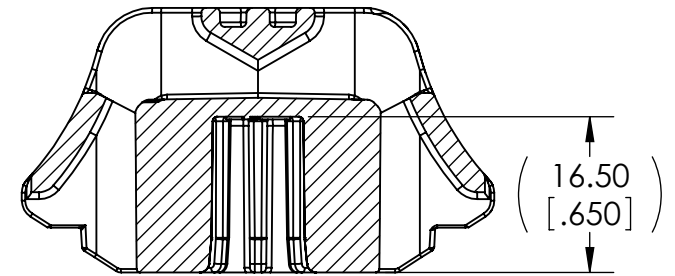
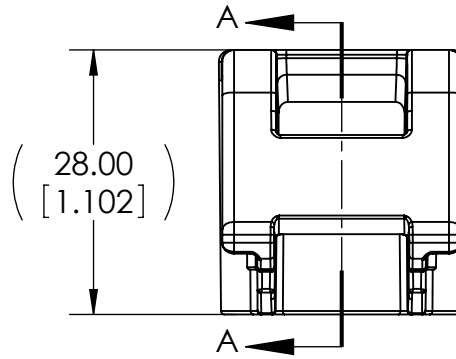
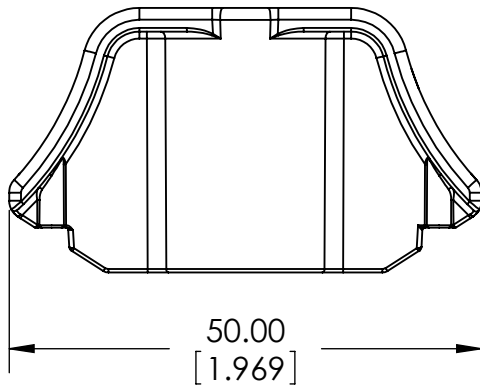
SW2011



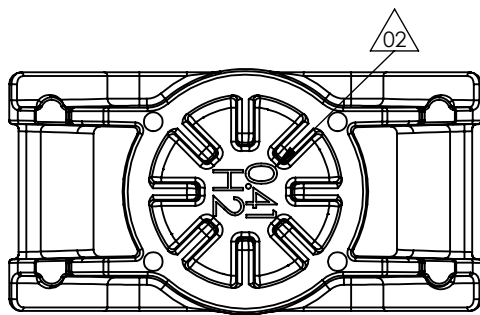
Revision level		Revision Record	Changed	Date	Approved	Date
Drawing	Part					
02	-	SEE ECN# 012303	KAC	12/15/2011	CJR	03/07/2013



SCALE: 1:1



SECTION A-A



Material
PA66HIRHSUV

Units millimeters

Dimension without tolerances details to:

- .xxxx = ±.250
- .xxx = ±.50
- .xx = ±1.0
- .x = ±2.0
- None = ±1.0
- ∠ = ±0.5°

The copyright of this drawing is reserved by HellermannTyton. It is issued on condition that it is not reproduced, copied, or disclosed to a third party, either wholly or in part, without the consent of HellermannTyton.

Drawn MHT 10/17/2011

Approved KAC 12/15/2011

HellermannTyton

North America
Email: corp@htamericas.com
Web: www.hellermann.tyton.com

Article/Type-No HM5A

Title 0.410 IN SPIN-ON H-MOUNT

Drawing-No Production : Phase

11-0588-003-CSU

Scale 5:4

Project Number
PRP11-0588

Format AH

Sheet 1/1