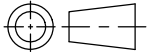
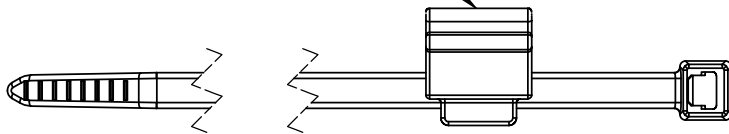


SW2015

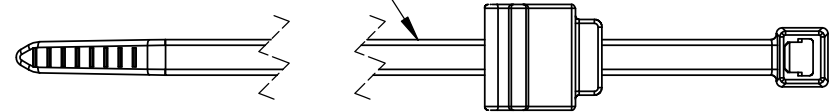


Revision level			Revision Record	Changed	Date	Approved	Date
Drawing	State	Part					
04.1	Design Release		SEE ECN# 014095	CTF	10/02/17	KAC	10/02/17

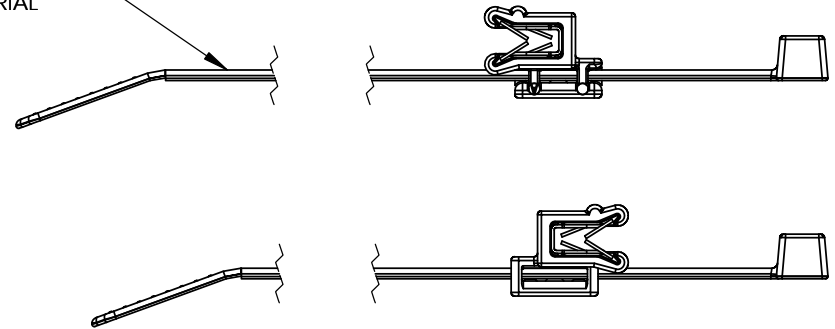
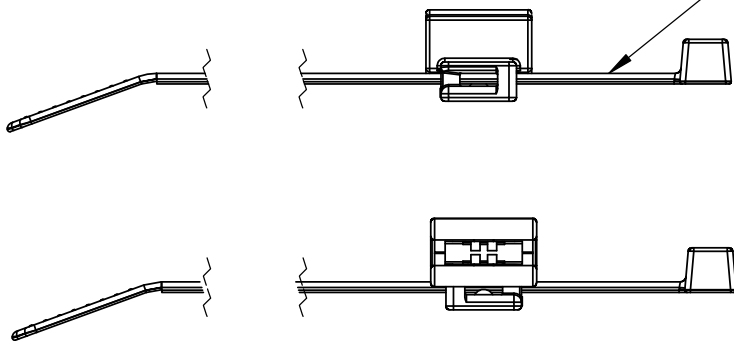
EC5B  
SEE CHART FOR MOUNT  
DRAWING AND MATERIAL



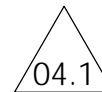
EC5A  
SEE CHART FOR MOUNT  
DRAWING AND MATERIAL



T50R TIE  
SEE CHART FOR TIE  
DRAWING AND MATERIAL



DELIVERY CONDITION:  
CABLE TIE CAN BE INSERTED  
FROM EITHER SIDE OF EDGE CLIP



TYPE	VIEW	BUNDLE RANGE (mm)	CABLE TIES		MOUNT	
			DRAWING	MATERIAL	DRAWING	MATERIAL
T50REC5A	A	5 to 50	CT2050007CST	PA66HIRHSUV	10-0832-006-CSU	PA66HIRHSUV5R
				PA12		
T50REC5B	B	5 to 50	CT2050007CST	PA66HIRHSUV	10-0832-006-CSU	PA66HIRHSUV5R
				PA12		

Material SEE CHART	Units: <b>millimeters</b>	The copyright of this drawing is reserved by HellermannTyton. It is issued on condition that it is not reproduced, copied, or disclosed to a third party, either wholly or in part, without the consent of HellermannTyton.	Drawn	CTF	3/21/17	Article/Type-No SEE CHART	Scale	1:1	
	Dimension without tolerances details to: .XXX = ±.013 .XX = ±.13 .X = ±.3 None = ±.8 ∠ = ±0.5°		Approved	KAC	3/21/17		Title	<b>T50R STANDARD CABLE TIE WITH EC5 MOUNT</b>	Project Number PRP 10-0832
	Dimension Formatted mm/[in]		<b>HellermannTyton</b>			Drawing-No	<b>10-0832-007-CSU</b>	Production : Phase	Format AH
			North America Email: corp@htamericas.com Web: www.hellermann.tyton.com					Sheet	1/1