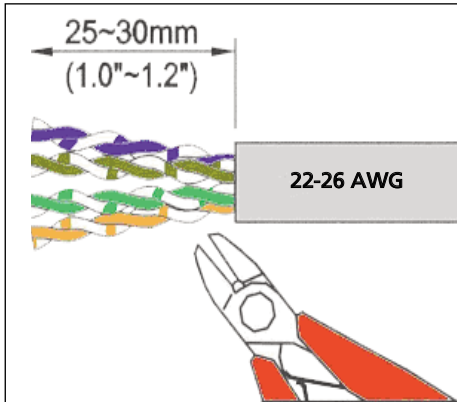


Network Connectivity

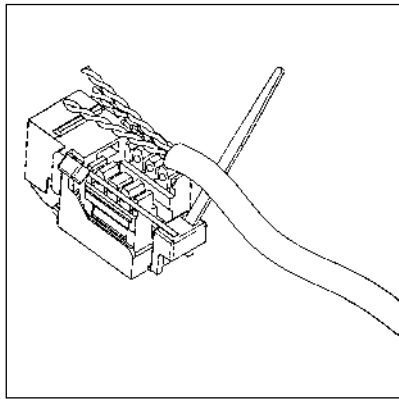
Copper Solutions

Keystone Jack 110 Tool Installation Instructions - RJ45FC5E/6

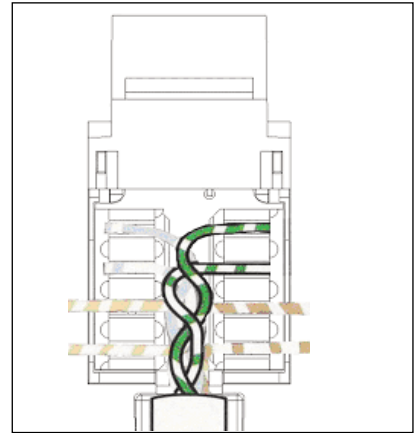
Prepare cable, cut back sheath to the appropriate length.



Lay cable onto outlet and secure with cable tie.

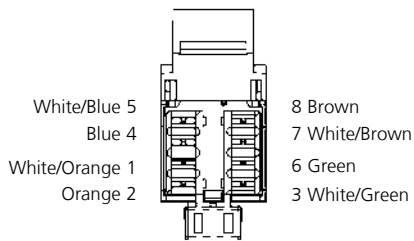


Punch down pairs nearest to jack first.

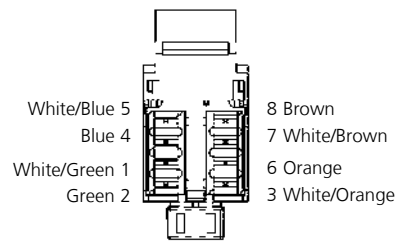


Use appropriate wiring scheme.

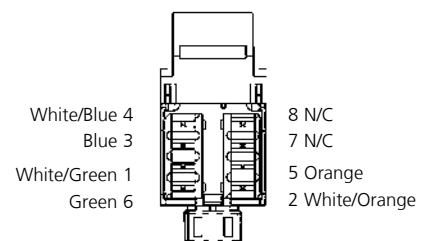
568B



568A



CAT 3 USOC (6P6C)



CAT 3 USOC (8P8C)

