

## INSTALLATION INSTRUCTIONS FOR 600V RATED SURFACE RACEWAY

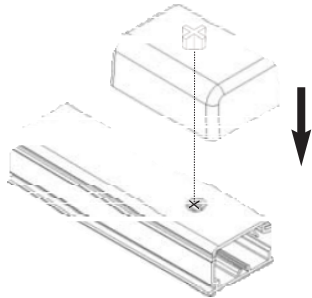


### END CAP

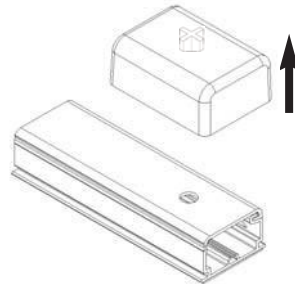
Part Numbers: TSRP1X-36, TSRP2X-36, TSRP3X-36

Replace "X" in the part number with the following letters for desired color: I (ivory), FW (office white), W (white)  
Accessories are rated for power applications up to 600V as required by UL5A specifications.

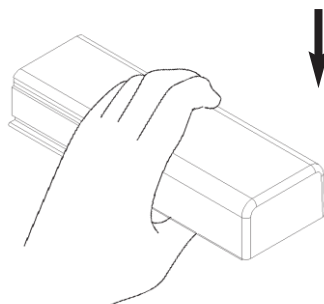
**For Power Applications:** Recommend to drill 3/16" diameter hole to secure fitting.



Make impression on raceway with end cap.



Remove cover and drill hole in raceway.



Mount end cap to raceway.

## INSTALLATION INSTRUCTIONS FOR 600V RATED SURFACE RACEWAY

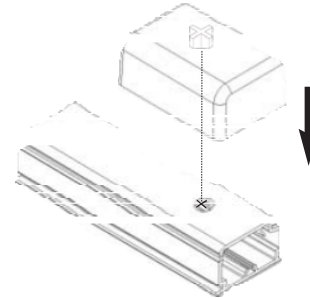


### END CAP

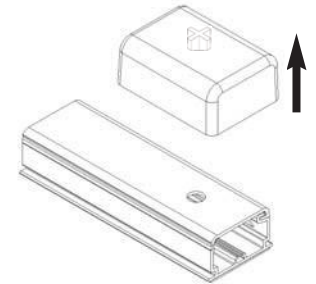
Part Numbers: TSRP1X-36, TSRP2X-36, TSRP3X-36

Replace "X" in the part number with the following letters for desired color: I (ivory), FW (office white), W (white)  
Accessories are rated for power applications up to 600V as required by UL5A specifications.

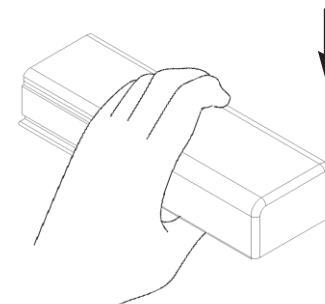
**For Power Applications:** Recommend to drill 3/16" diameter hole to secure fitting.



Make impression on raceway with end cap.



Remove cover and drill hole in raceway.



Mount end cap to raceway.