

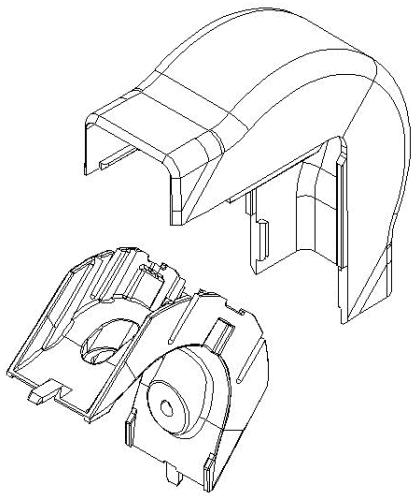
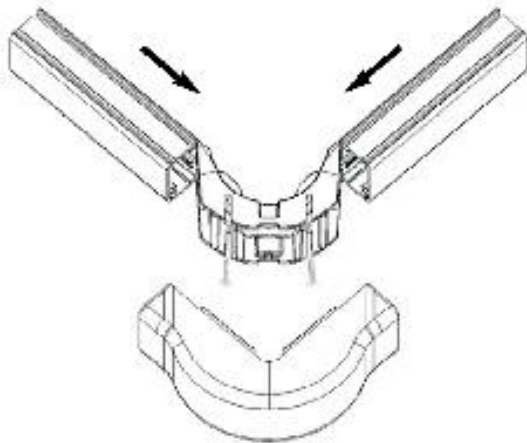
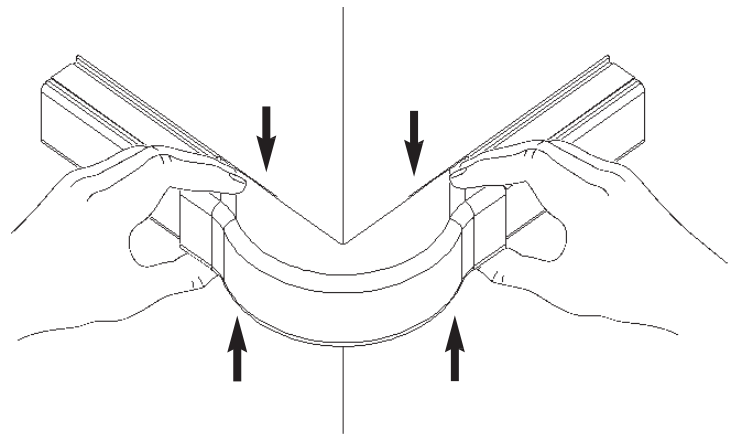
## INSTALLATION INSTRUCTIONS FOR 600V RATED SURFACE RACEWAY

### EXTERNAL CORNER FITTING

Part Numbers: TSRP1X-29-1, TSRP2X-29-1, TSRP3X-29-1

Replace "X" in the part number with the following letters for desired color: I (ivory), FW (office white), W (white)

Accessories are rated for power applications up to 600V as required by UL5A specifications.

**1****2****3**

#### **For Power Applications:**

Appropriate mounting hardware should be used to secure the fitting to the mounting surface.

Recommend use of #8 round or pan-head screws.

Raceway	Size	External Corner
TSRP1	3/4"	TSRP1-29-1
TSRP2	1-1/4"	TSRP2-29-1
TSRP3	1-3/4"	TSRP3-29-1

HellermannTyton • 7930 N. Faulkner Rd. Milwaukee, WI 53224  
Phone:(800)537-1512 • Fax:(800)848-9866  
www.hellermann.tyton.com • email:corp@htamericas.com