

## INSTALLATION INSTRUCTIONS FOR 600V RATED SURFACE RACEWAY



### REDUCER

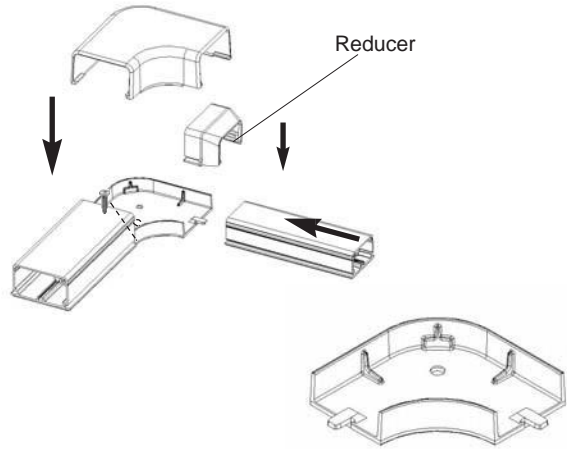
Part Numbers: TSRP1X-12, TSRP2X-12, TSRP3X-12

Replace "X" in the part number with the following letters for desired color: I (ivory), FW (office white), W (white)

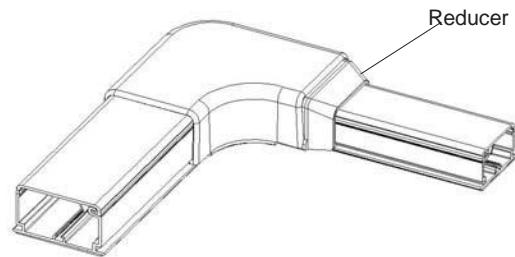
Accessories are rated for power applications up to 600V as required by UL5A specifications.

Appropriate mounting hardware should be used to secure the fitting to the mounting surface.

Recommend use of #8 round or pan-head screws.



*Base required only for power applications.*



HellermannTyton • 7930 N. Faulkner Rd. Milwaukee, WI 53224  
Phone:(800)537-1512 • Fax:(800)848-9866  
www.hellermann.tyton.com • email:corp@htamericas.com

## INSTALLATION INSTRUCTIONS FOR 600V RATED SURFACE RACEWAY



### REDUCER

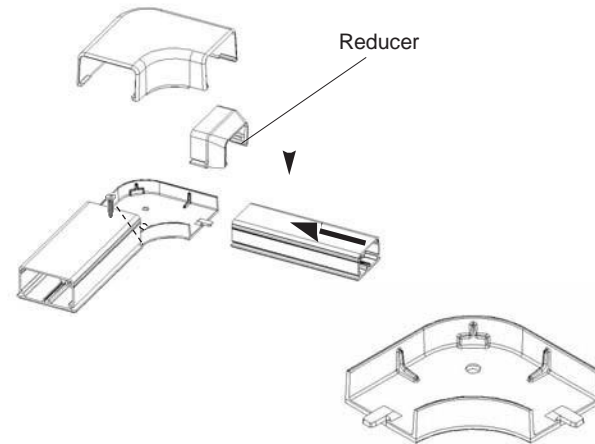
Part Numbers: TSRP1X-12, TSRP2X-12, TSRP3X-12

Replace "X" in the part number with the following letters for desired color: I (ivory), FW (office white), W (white)

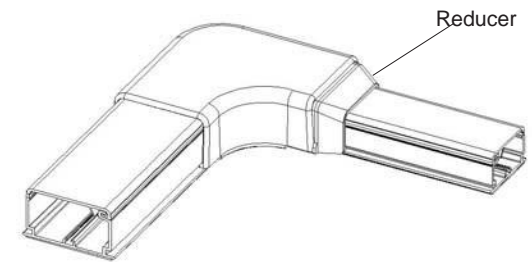
Accessories are rated for power applications up to 600V as required by UL5A specifications.

Appropriate mounting hardware should be used to secure the fitting to the mounting surface.

Recommend use of #8 round or pan-head screws.



*Base required only for power applications.*



HellermannTyton • 7930 N. Faulkner Rd. Milwaukee, WI 53224  
Phone:(800)537-1512 • Fax:(800)848-9866  
www.hellermann.tyton.com • email:corp@htamericas.com