

HellermannTyton

INSTSRP

INSTALLATION INSTRUCTIONS FOR 600V RATED SURFACE RACEWAY



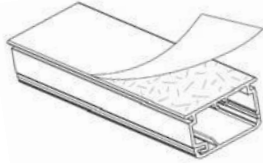
SURFACE RACEWAY

Part Numbers: TSRP1X-6/8A, TSRP2X-6/8A, TSRP3X-6/8A

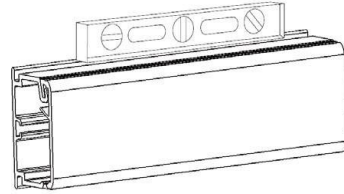
Replace "X" in the part number with the following letters for desired color: I (ivory), FW (office white), W (white)

Raceway is rated for power applications up to 600V as required by UL5A specifications. Appropriate mounting hardware should be used to secure the fitting to the mounting surface. Recommend use of #8 round or pan-head screws.

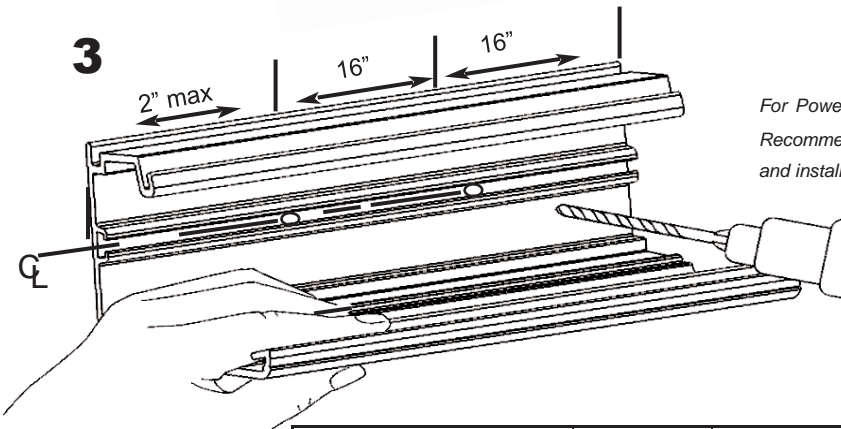
1



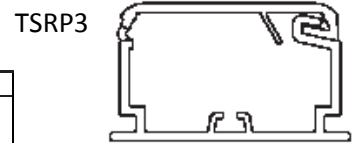
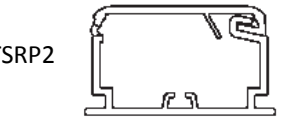
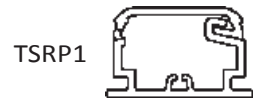
2



3



For Power Applications:
Recommend to drill 3/16" holes every 16"
and install with #8 round or pan-head screws.



Wire Type	Wire Size	O.D. of Wire	Power Rated - TSRP							
			TSRP 1		TSRP 2		TSRP 3			
			A = 0.220 in ²	Spec	Max	A = 0.651 in ²	Spec	Max	A = 1.361 in ²	Spec
Twisted Pair 24 AWG Unshielded	2 Pr.	0.140	5	8	16	25	35	53		
	3 Pr.	0.150	4	7	14	22	30	46		
	4 Pr. Cat 5e	0.217	2	3	7	10	14	22		
	4 Pr. Cat 6	0.240	1	2	5	8	12	18		
	25 Pr.	0.410	0	0	1	2	4	6		
	4 Pr. Cat 6a	0.354	0	1	2	3	5	8		
Coax	RG58/U	0.193	2	4	8	13	18	27		
	RG59/U or RG62/U	0.242	1	2	4	6	9	14		
	RG6/U	0.270	1	2	4	6	9	14		
Fiber Optic	2 Strand	0.175	3	5	10	16	22	33		
FA Jacket	4 Strand	0.185	3	4	9	14	20	30		
OFNP	6 Strand	0.210	2	3	7	11	15	23		
Electrical Wire	14 AWG THHN	0.105	-	8	-	11	-	11		
	12 AWG THHN	0.122	-	6	-	9	-	9		
	10 AWG THHN	0.153	-	4	-	6	-	5		

Formula used to calculate communications wire fill capacity - Numbers of wires = duct / {1/4 x 3.14 x (wire o.d.)²} x 0.4 or 0.6. Per ANSI/TIA/EIA-569-A: SPEC = 40% fill which is recommended for planning perimeter pathways

MAX (for data) = 60% fill which is allowed to accommodate unplanned additions after initial installation

MAX (for power) = Maximum number determined by UL temperature testing

Note: It is recommended to bundle electrical cables in raceway

The adhesive strip may serve only as a positioning aid during the installation process. The raceway shall be secured by mechanical fastening.