

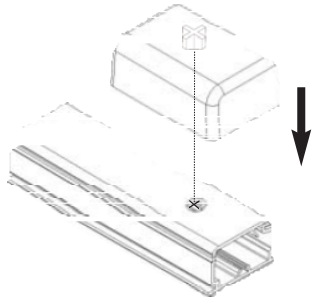
INSTALLATION INSTRUCTIONS FOR LOW VOLTAGE SURFACE RACEWAY

END CAP

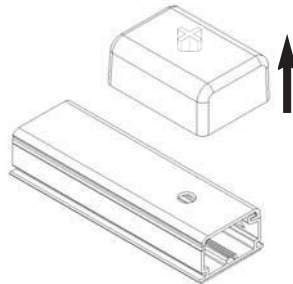
Part Numbers: TSR1X-36, TSR2X-36, TSR3X-36

Replace "X" in the part number with the following letters for desired color: I (ivory), FW (office white), W (white)

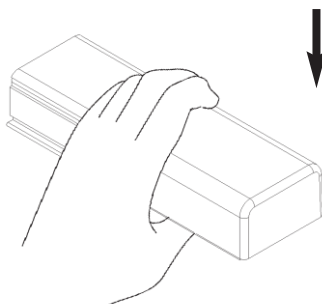
For Power Applications: Recommend to drill 3/16" diameter hole to secure fitting.



Make impression on raceway with end cap.



Remove cover and drill hole in raceway.



Mount end cap to raceway.

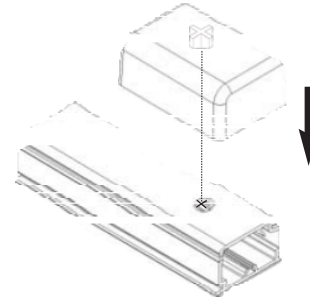
INSTALLATION INSTRUCTIONS FOR LOW VOLTAGE SURFACE RACEWAY

END CAP

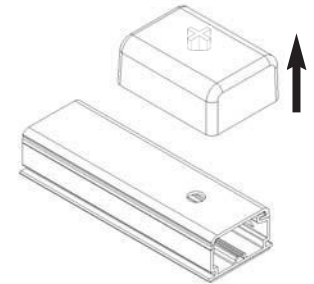
Part Numbers: TSR1X-36, TSR2X-36, TSR3X-36

Replace "X" in the part number with the following letters for desired color: I (ivory), FW (office white), W (white)

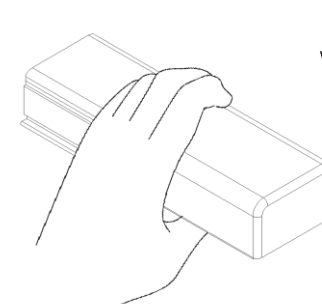
For Power Applications: Recommend to drill 3/16" diameter hole to secure fitting.



Make impression on raceway with end cap.



Remove cover and drill hole in raceway.



Mount end cap to raceway.