

# HellermannTyton

INSTMCRENT

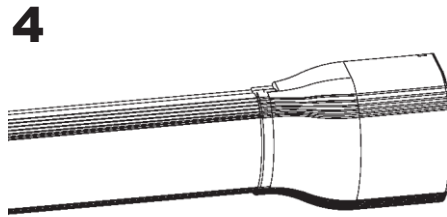
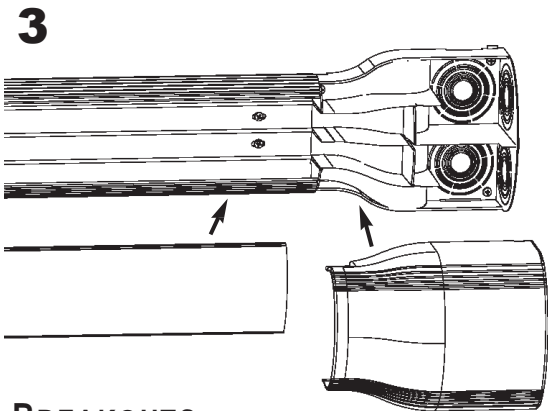
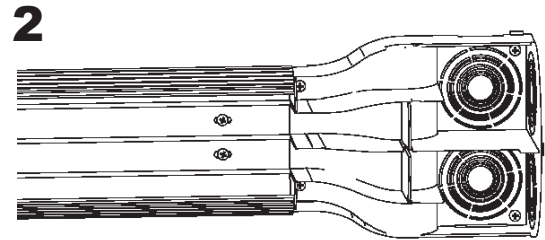
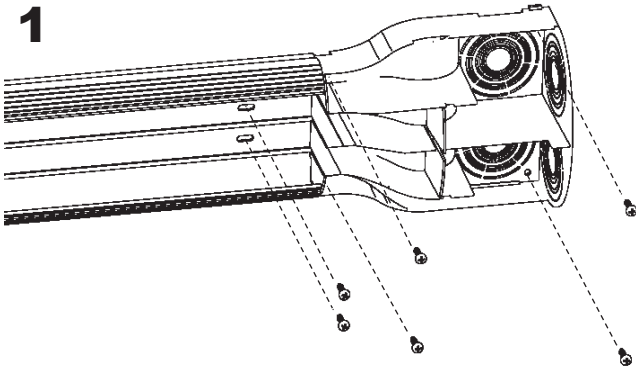
## INSTALLATION INSTRUCTIONS FOR INFOSTREAM™ MULTI-CHANNEL RACEWAY SYSTEM



### ENTRANCE END FITTING

Part Number: MCR\_ENT

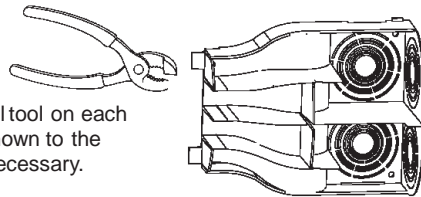
Appropriate mounting hardware should be used to secure the raceway to the mounting surface. Recommend use of #8 round or pan-head screws.



### BREAKOUTS

#### DIVIDER BREAKOUT

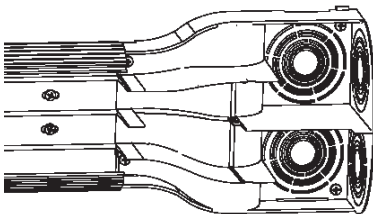
Apply **heavy** score with utility knife or dremel tool on each side of divider and breakout using pliers as shown to the right. Use file to remove excess material, if necessary.



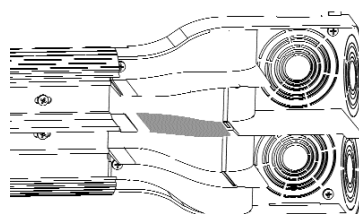
#### CONDUIT BREAKOUT

Apply **heavy** score with utility knife or dremel tool at perforations of desired size, then **carefully** breakout using pliers or flat screwdriver. Alternately, a progressive drill bit may be used to remove material to achieve desired size. Use file to remove excess material, if necessary.

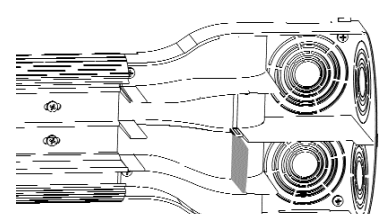
#### FOR USE WITHOUT DIVIDERS



#### FOR USE WITH CENTER DIVIDER\*



#### FOR USE WITH SIDE DIVIDER\*



\*The dividers that remain in the InfoStream System after breakouts are denoted by shading.

HellermannTyton • 7930 N. Faulkner Rd. Milwaukee, WI 53224  
Phone:(800)537-1512 • Fax:(800)848-9866  
www.hellermann.tyton.com • email:corp@htamericas.com