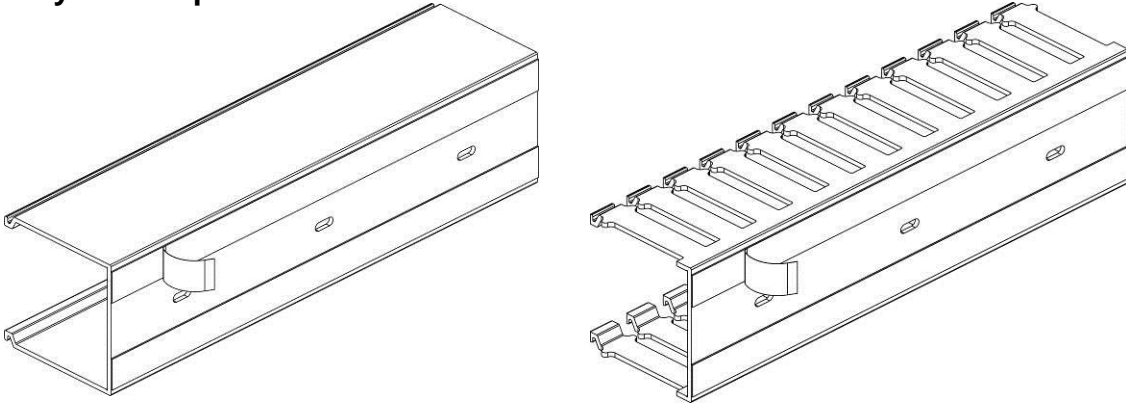


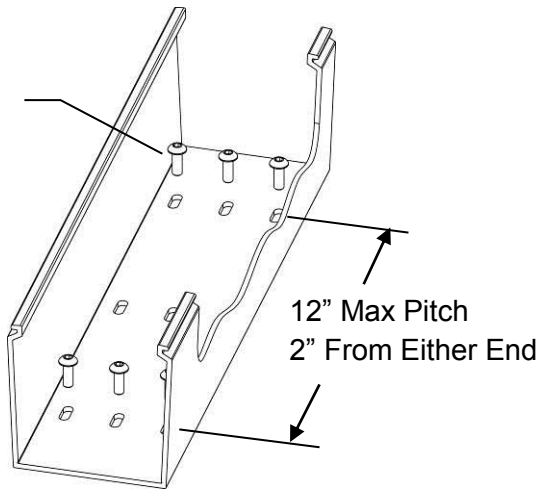
Installation Instructions for: Pro-Duct Wiring Duct (SD, SDA, SL, SLA, SLHD, SLHDA) and Covers (TC)

If provided with adhesive tape, (SDA, SLA, SLHDA), remove release liner from bottom and position wiring duct in place. Adhesive tape is not a permanent fastener. Use to temporarily hold in place.

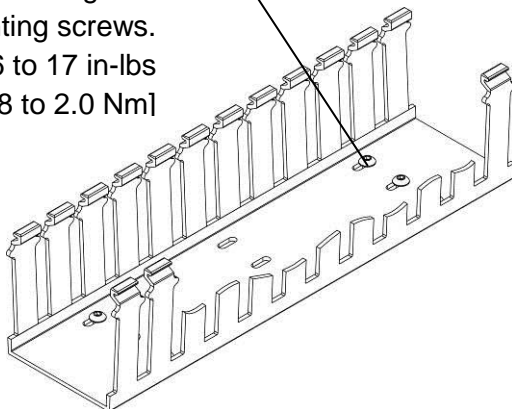


Installation with Mounting Screws or Panel Rivets.

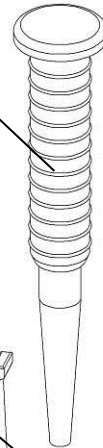
#8 or #10
Round or Pan
Head Screw
(Not Provided)



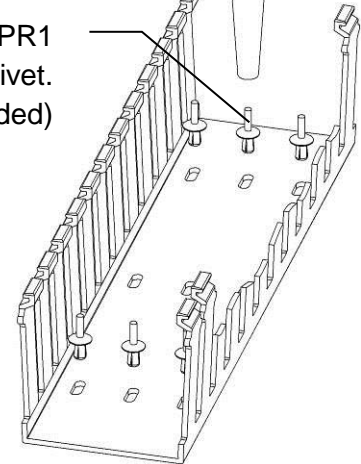
Do not over tighten
mounting screws.
Torque = 16 to 17 in-lbs
[1.8 to 2.0 Nm]



PRT1
Panel Rivet Tool.
(Not Provided)



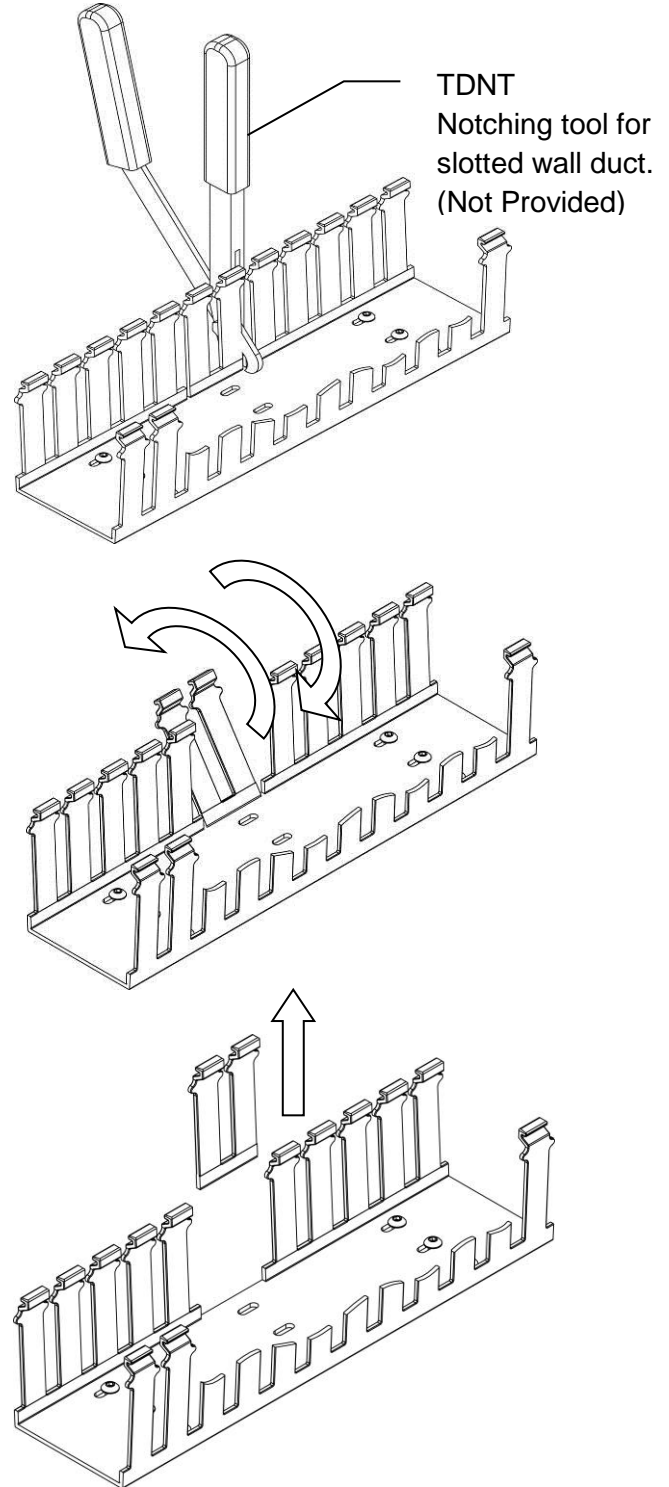
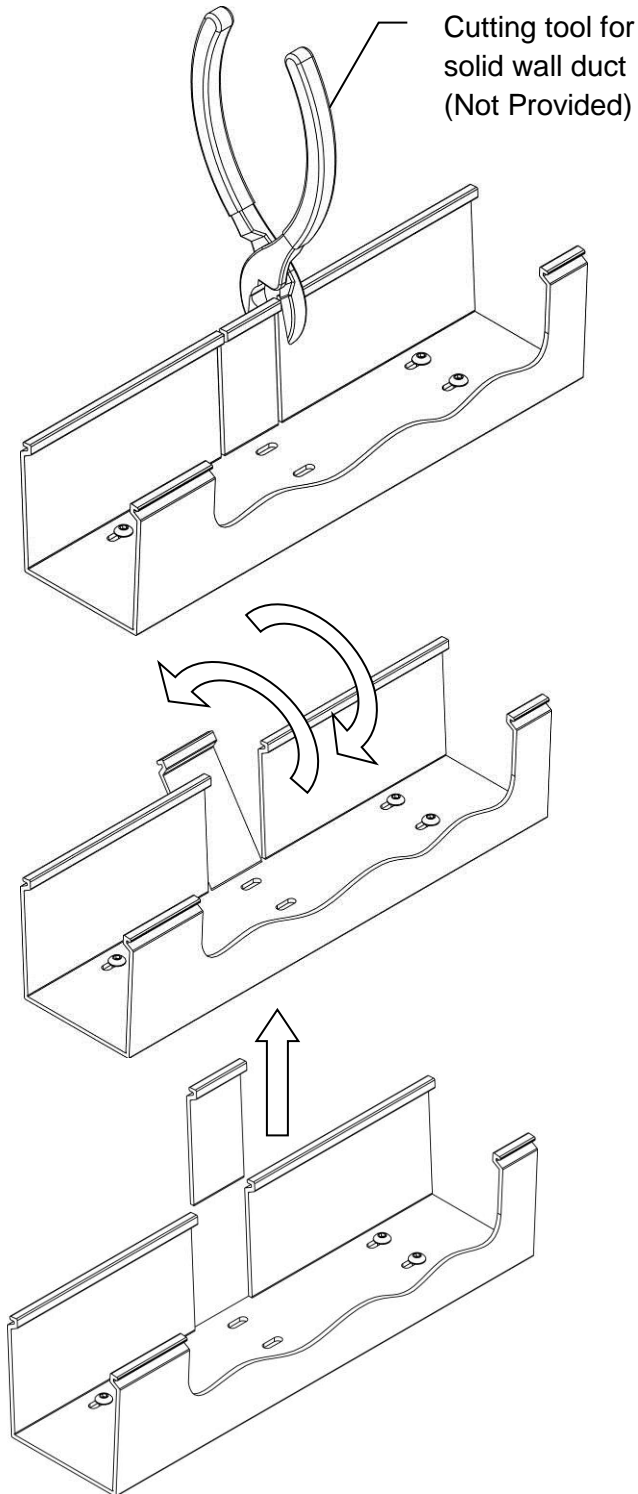
PR1
Panel Rivet.
(Not Provided)



Installation Instructions for: Pro-Duct Wiring Duct (SD, SDA, SL, SLA, SLHD, SLHDA) and Covers (TC)

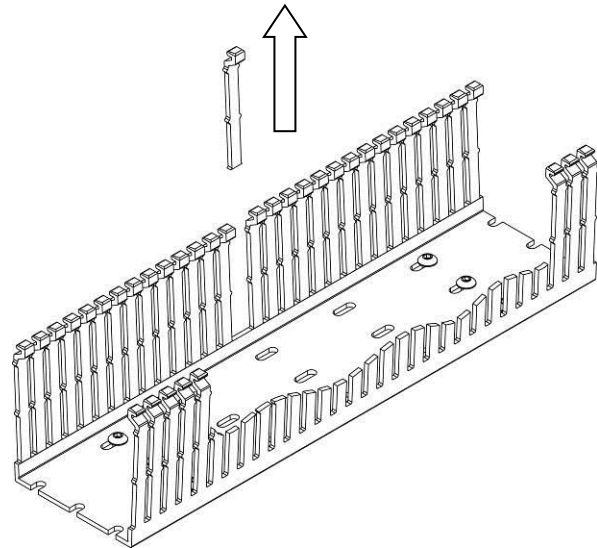
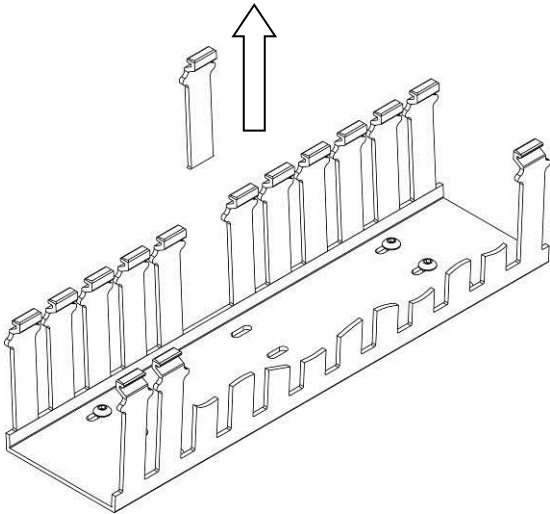
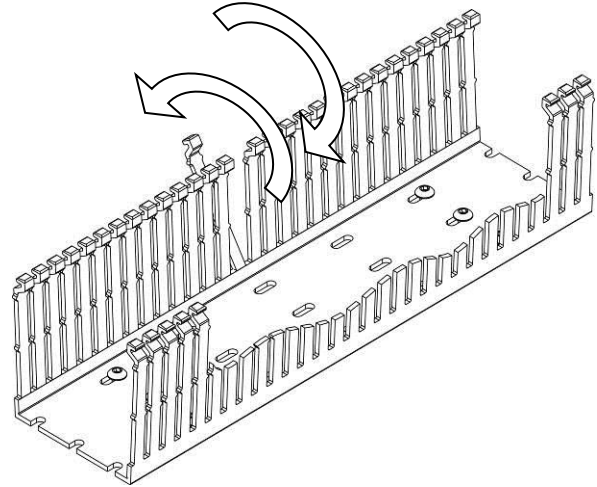
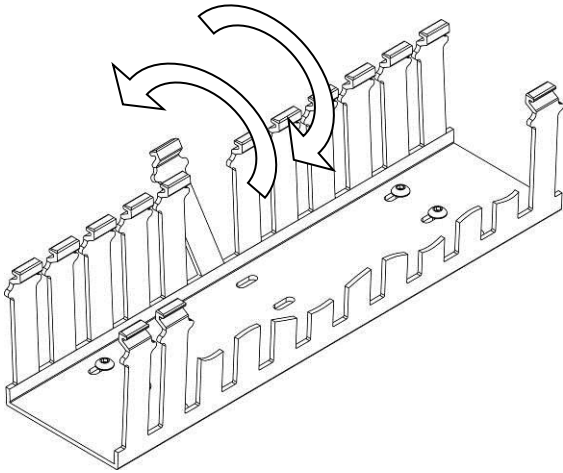
Removing the side wall from lower score line.

(Cut side wall down to inside bottom of wiring duct to lower score line.)



Installation Instructions for:
Pro-Duct Wiring Duct (SD, SDA, SL, SLA, SLHD, SLHDA) and Covers (TC)

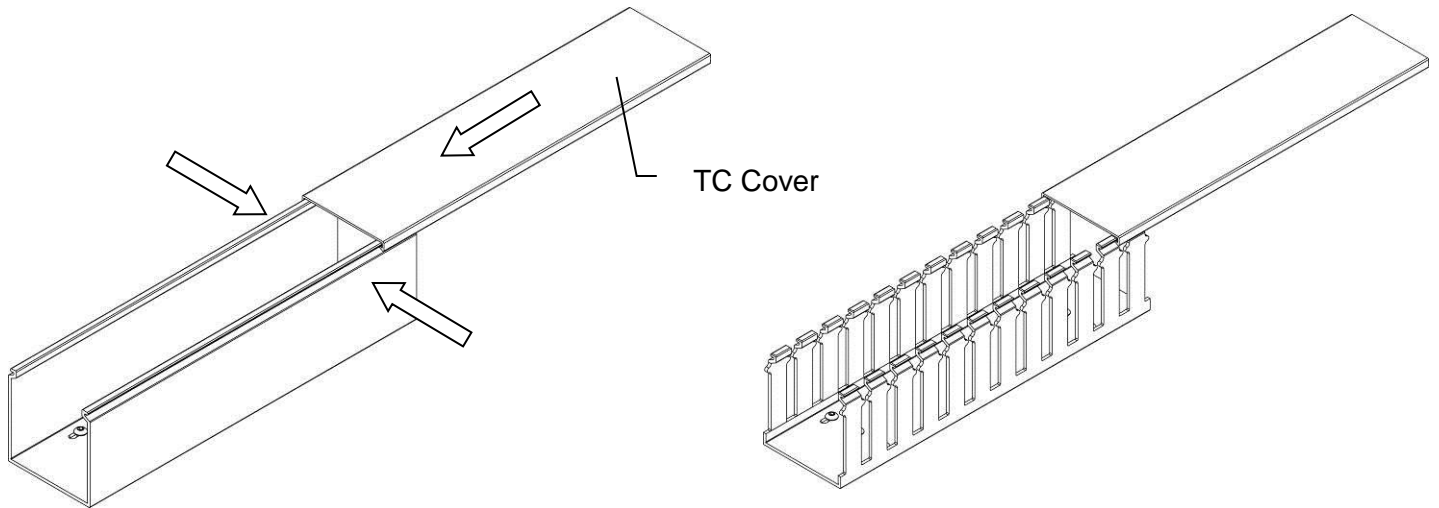
Removing fingers from upper score line of wiring duct (SL, SLA, SLHD, SLHDA).



Installation Instructions for:
Pro-Duct Wiring Duct (SD, SDA, SL, SLA, SLHD, SLHDA) and Covers (TC)

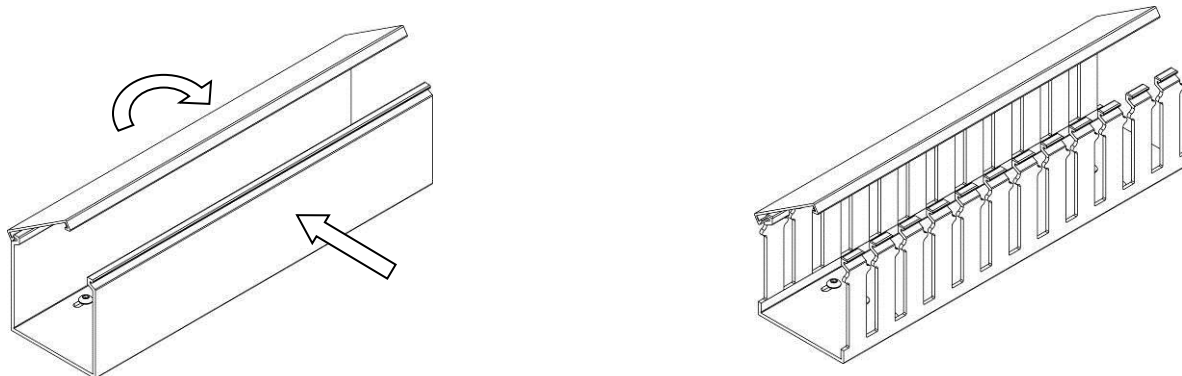
Option 1 for installing wiring duct covers (TC).

Force side walls inward and slid cover onto wiring duct.

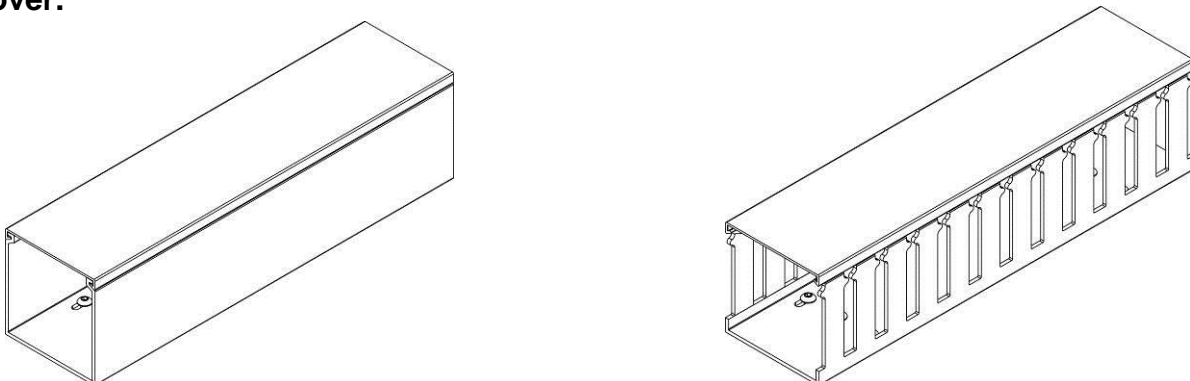


Option 2 for installing wiring duct covers (TC).

Hook cover to one side of wiring duct and apply force to hook onto other side.



When cover is fully engaged side walls and fingers of wiring duct are fully retained by the cover.



**Installation Instructions for:
Pro-Duct Wiring Duct (SD, SDA, SL, SLA, SLHD, SLHDA) and Covers (TC)**

Agency Approvals

UL Recognized file E64139

CSA Certified file 049249_0_000

CE information:

EN50085 Cable trunking systems and cable ducting systems for electrical installation.

Intended installation is for mounting on vertical or horizontal surface except in cover down position.

Components of the system include SD, SDA, SL, SLA, SLHD, SLHDA duct and TC covers ranging from 0.5" to 4" wide by 0.5" to 5" tall.

- Resistance to impact for installation and application: CDS (Cable Ducting System) for impact 2 J
- Minimum storage and transport temperature: -15°C
- Minimum installation and application temperature: -5°C
- Maximum application temperature: 60°C
- Resistance to flame propagation: Non-flame propagating CDS
- Electrical continuity characteristic: CDS without electrical continuity characteristic
- Electrical insulating characteristic: CDS without electrical insulating characteristic
- Protection provided by enclosure according to EN 60529: 1991: No protection declared
- Protection against corrosive or polluting substances: CDS with low protection outside and inside
- System access cover retention: CDS access cover, which can be opened without a tool
- Electrically protective separation: CDS without internal protective partition

Installation Instructions for: 
Pro-Duct Wiring Duct (SD, SDA, SL, SLA, SLHD, SLHDA) and Covers (TC)

Duct Wire Fill Capacity												
Duct Size (WxH)	Duct Area		Wire O.D.									
	Square mm	Square Inches	10AWG	12AWG	14AWG		16AWG	18AWG	22AWG	Twisted Pair 24 AWG Unshielded		
			0.176	0.158	0.165	0.139	0.125	0.113	0.065	4 Pr. Cat 5e	4 Pr. Cat 6	4 Pr. Cat 6a
.5x.5	116.129	0.180	4	5	4	6	7	9	27	2	2	1
.5x1	245.161	0.380	8	10	9	13	15	19	57	5	4	2
.75x.75	180.645	0.280	6	7	7	9	11	14	42	4	3	1
1x1	474.193	0.735	15	19	17	24	30	37	111	10	8	4
1x1.5	732.257	1.135	23	29	27	37	46	57	171	15	13	6
1x2	977.417	1.515	31	39	35	50	62	76	228	20	17	8
1x3	1432.255	2.220	46	57	52	73	90	111	335	30	25	11
1x4	1894.190	2.936	60	75	69	97	120	146	443	40	32	15
1.5x1	777.418	1.205	25	31	28	40	49	60	182	16	13	6
1.5x1.5	1193.546	1.850	38	47	43	61	75	92	279	25	20	9
1.5x2	1596.771	2.475	51	63	58	82	101	123	373	33	27	13
1.5x3	2367.092	3.669	75	94	86	121	150	183	553	50	41	19
1.5x4	3149.026	4.881	100	125	114	161	199	243	736	66	54	25
2x1	1082.578	1.678	35	43	39	55	68	84	253	23	19	9
2x2	2218.060	3.438	71	88	80	113	140	171	518	47	38	17
2x3	3304.510	5.122	105	131	120	169	209	255	772	69	57	26
2x4	4405.798	6.829	140	174	160	225	278	341	1030	92	76	35
2X5	5476.118	8.488	175	217	199	280	346	423	1280	115	94	43
2.5X3	4234.830	6.564	135	167	154	216	268	327	990	89	73	33
3x1	1659.997	2.573	53	66	60	85	105	128	388	35	28	13
3x2	3460.638	5.364	110	137	125	177	219	268	809	73	59	27
3x3	5179.344	8.028	165	205	188	265	327	400	1210	109	89	41
3x4	6918.696	10.724	221	274	251	354	437	535	1617	145	119	55
3x5	8624.499	13.368	275	341	313	441	545	667	2015	181	148	68
4x2	4701.926	7.288	150	186	171	240	297	364	1099	99	81	37
4x3	7052.889	10.932	225	279	256	360	446	545	1648	148	121	56
4x4	9431.594	14.619	301	373	342	482	596	729	2204	198	162	74
4x5	11771.589	18.246	375	466	427	602	744	910	2751	247	202	93